



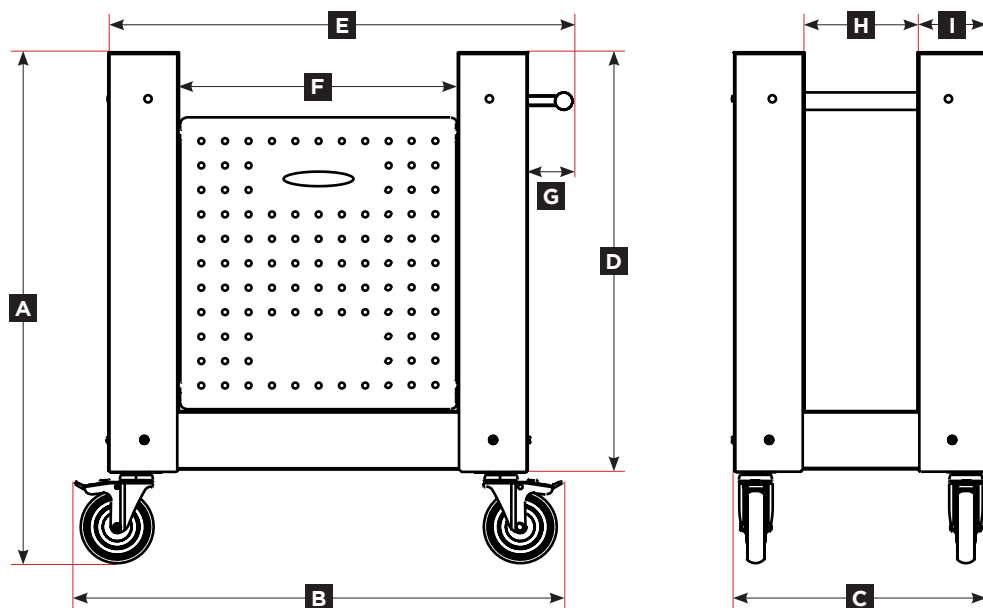
# SCHEDA TECNICA / TECHNICAL SPECIFICATION

## ALFA

**BASE**  
ONE OVEN

-  BF-ONE RAM
-  BF-ONE SBL

MISURE / DIMENSIONS



<b>A</b>	87.8 cm - 34.6 in	<b>F</b>	47.9 cm - 18.8 in
<b>B</b>	85.3 cm - 33.6 in	<b>G</b>	7.7 cm - 3 in
<b>C</b>	43.7 cm - 17.2 in	<b>H</b>	19.9 cm - 7.8 in
<b>D</b>	71.6 cm - 28.2 in	<b>I</b>	12.1 cm - 4.7 in
<b>E</b>	79.2 cm - 31.9 in		

## CARATTERISTICHE TECNICHE / TECHNICAL DETAILS

**Peso**  
*Weight*

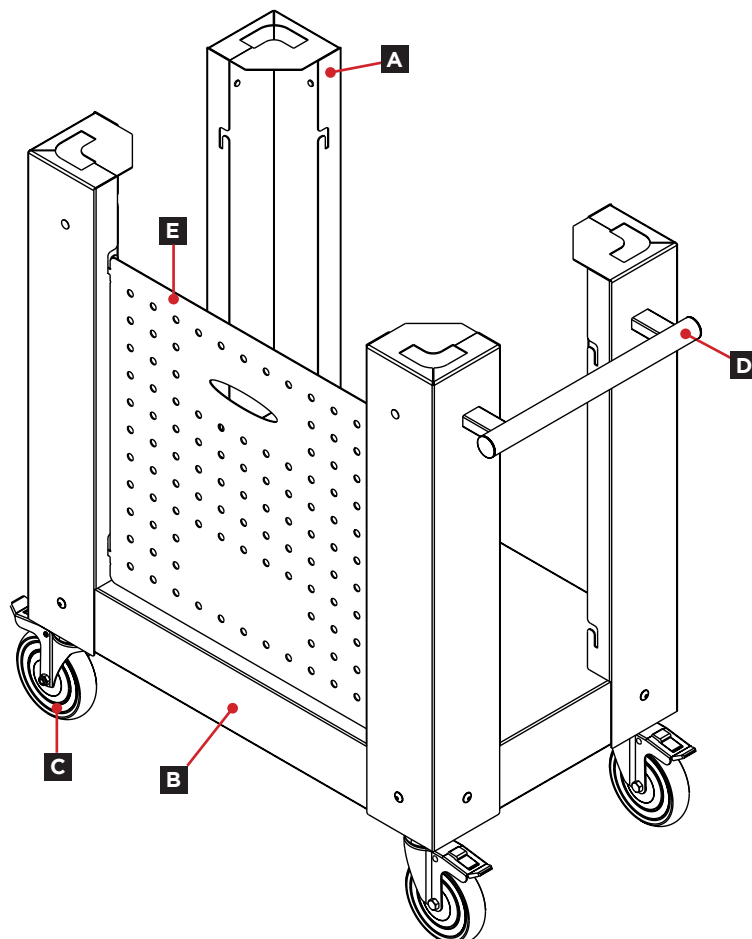
25 kg  
55 lbs

**Materiali utilizzati**  
*Used material*

lamiera ferro, acciaio inox  
*iron sheet, stainless steel*

## COMPONENTI / PARTS LIST

	CODE	N°	DESCRIPTION
<b>A</b>	BAS-2-12012	4	<b>Leg</b> - Gamba
<b>B</b>	BAS-2-1201111	1	<b>Shelf</b> - Ripiano
<b>C</b>	D14RU-125FRGN	4	<b>Wheel</b> - Ruota
<b>D</b>	D14MAN-37811	1	<b>Handle</b> - Maniglia
<b>E</b>	SML-3-12011	1	<b>Panel</b> - Pannello



WATCH THE VIDEO, SCAN THE QR CODE  
[alfaforni.com/alfa-base.php](http://alfaforni.com/alfa-base.php)

