

ALFA



5 MINUTI

LEGNA - WOOD

COPPER
FX5MIN-LRAM-T

ANTIQUE RED
FX5MIN-LROA-T



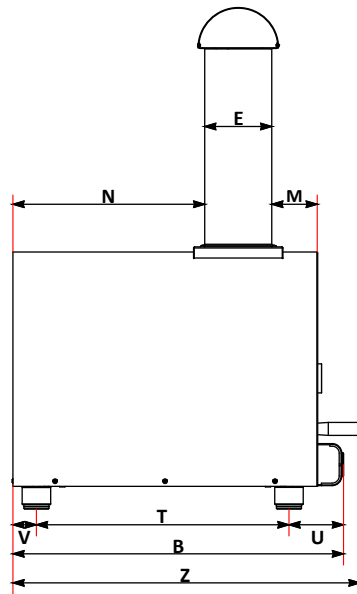
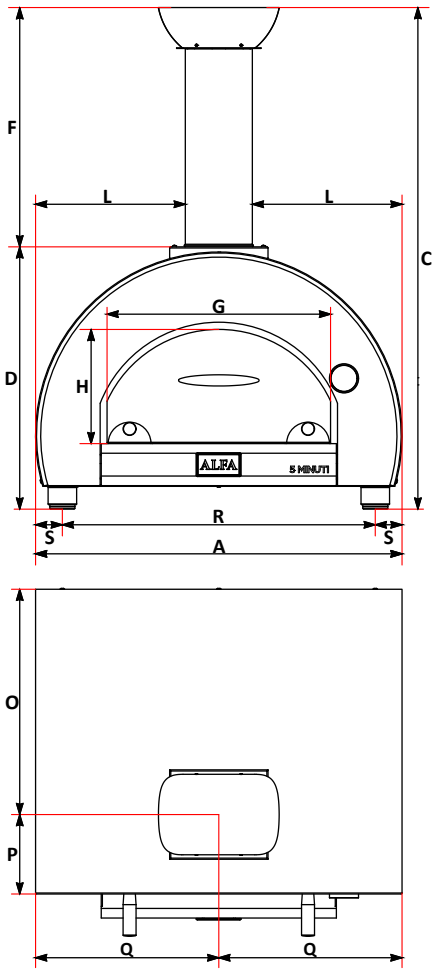
conforme a UNI 10474 e EN 13229
UNI 10474 and EN 13229 compliant



CARATTERISTICHE TECNICHE - TECHNICAL DETAILS

Peso <i>Weight</i>	80 kg 169.7 lbs	Materiali utilizzati <i>Used material</i>	lamiera ferro. acciaio inox. fibra ceramica <i>iron sheet. stainless steel. ceramic fiber</i>
Area piano forno <i>Oven floor area</i>	0.28 m ² 3 ft ²	Tipo di refrattario <i>Type of refractory</i>	Tavella silico-alluminoso <i>Alumina silicate bricks</i>
Dim. piano forno <i>Oven floor dim.</i>	70 x 40 cm 27.5 x 15.7 in	Combustibile consigliato <i>Recommended fuel</i>	Cocchi diam. Max 5 cm. potature <i>Max 1.9 In diam. logs. trimmings</i>
Minuti per scaldare <i>Heating time (min)</i>	15	Carica nominale <i>Rated charge</i>	6.9 kg/h 15.2 Lbs/h
N° pizze alla volta <i>Pizza capacity</i>	2	Tiraggio minimo <i>Minimum flue draught</i>	10 Pa
Infornata di pane <i>Bread capacity</i>	2 kg 4.4 lbs	Flusso volumetrico fumi <i>Flue smokes mass flow</i>	57.7 g/s
Temperatura massima <i>Max oven temperature</i>	500°C 1000°F	Emissioni CO al 13% O₂ <i>CO emission at 13% O₂</i>	0.31% 3843 mg/Nm ³
Consumo medio <i>Average fuel consumption</i>	2.5 kg/h 5.5 lbs/h	Temperatura fumi <i>Smoke temperature</i>	395°C 743°F

MISURE - DIMENSIONS



A	82 cm 32.3 in	N	42.9 cm 16.9 in
B	74 cm 29.1 in	O	50.4 cm 19.8 in
C	112.2 cm 44.2 in	P	23.1 cm 9.1 in
D	58.7 cm 23.1 in	Q	41 cm 16.1 in
Ø E	15 cm 5.9 in	R	70 cm 27.6 in
F	53.5 cm 21.1 in	S	6 cm 2.4 in
G	50 cm 19.7 in	T	56.5 cm 22.2 in
H	25.5 cm 10 in	U	12.2 cm 4.8 in
L	33.5 cm 13.2 in	V	5.3 cm 2.1 in
M	10.3 cm 4.1 in	Z	77.7 cm 30.6 in

PARTI DI RICAMBIO - SPARE PARTS

Descrizione Description		Codice Code
Comignolo Chimney cap	A	SPZP_01_024
Canna fumaria Chimney	B	TI150_500_SAT
Sportello Door	G	SFMN_01_031
Flangia Flange	H	SFMN_01_070
Carter esterno External shell	I	SCRT-01-027-RA
Carter esterno External shell	I	SCRT-01-027-RO
Termometro Thermometer	J	YT63-135
Mattoni 30x20 cm Red bricks 30x20 cm	K	RRA3020
Gasbeton	L	FCGSD60-2515
Piedini Feet (n.4)	M	SETPIE-M10X20
Logo Alfa (v1.0)	N	D14PLAC-ALFA
Archetto Arch	Q	SSML-01-045
Davanzale Sill	R	SSML-01-046

